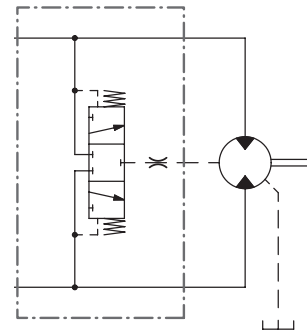




Flushing valve for SUNFAB hydraulic motor SCM

SUNFAB's flushing valve ensures that the oil temperature inside the motor housing remains at the recommended level. Excessively high temperatures reduce the service-life of the shaft seal and the viscosity of the oil deteriorates.

Function:
 A small proportion of the motor's return oil flow is flushed through the motor housing and reduces the housing temperature.

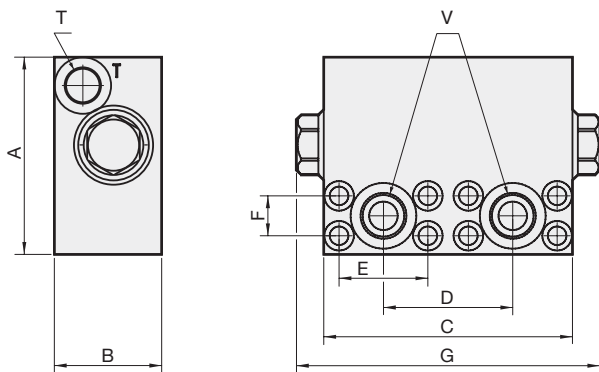


For motor SCM*		025-034	040-064	084-130
Flushing flow	l/min	6-8	8-10	10-12
Flushing pressure	MPa	2.0-3.0	2.0-3.0	2.0-3.0
Max. continuous pressure	MPa	35	35	35
Max. intermittent pressure	MPa	40	40	40
M6 orifice	mm	1.7	1.9	2.1
Weight	kg	3.4	5.4	6.2

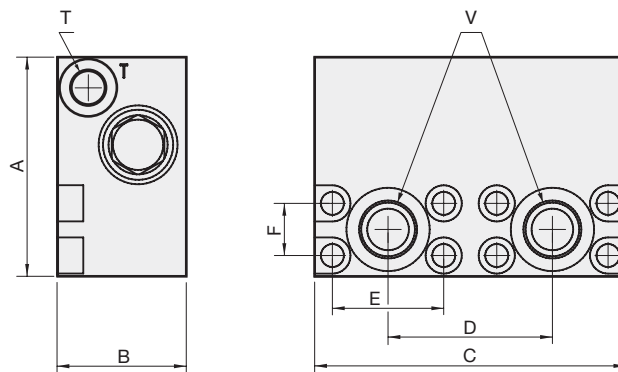
*Only suits SUNFAB motors with V2 back covers whose bolt pattern matches that of the valve.
 Subject to design alteration

Dimensions flushing valve

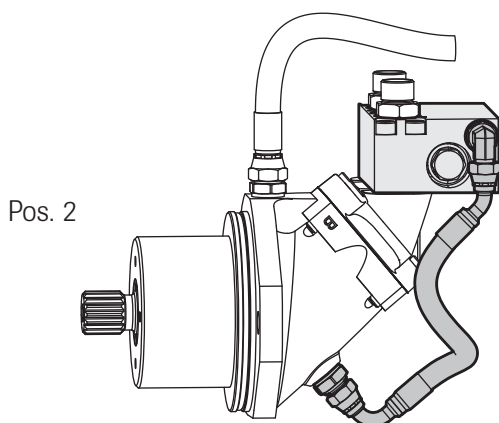
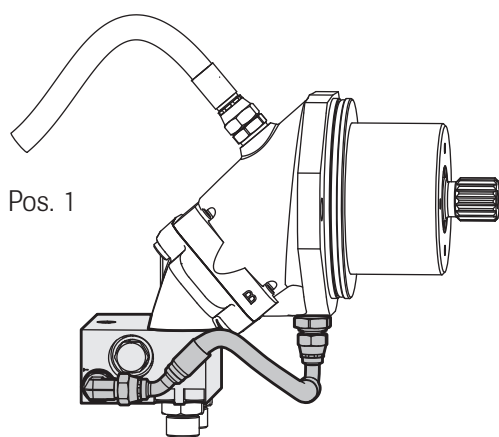
Valve for SCM 025-034



Valve for SCM 040-130



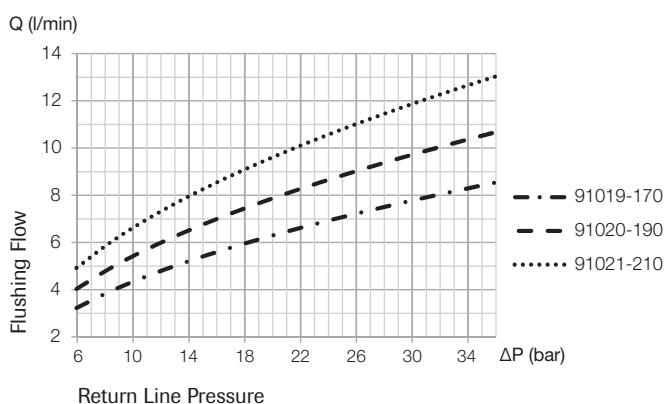
Mounting options



The drainage pipe should be connected to uppermost drainage outlet.

Type SCM	Dimension								T	V
	A	B	C	D	E	F	G			
025-034	90	49	113.5	59	40.5	18.2	138.4		G 1/2"	
040-064	100	59	142	75	50.8	23.8	-	G 3/8"	G 3/4"	
084-108	108	59	160	84	57.2	27.8	-		G 1"	

Type SCM	025-034		040-064		084-130	
Valve art no.	91019-170		91020-190		91021-210	
Bolt kit art no.	50851		50852		50853	
Hose kit art no.	M2	ISO	M2	ISO	M2	ISO
Pos 1			50848		50848	
Pos 2	50847	50848	50849		50849	50850



Initial opening pressure 5,7 bar. Valve fully switched at 9,3 bar.
For requests of other flushing flows, please contact Sunfab Hydraulics