

TRACPOWER increases the speed of the tractor's power take off 2.5 times, which gives better conditions for hydraulic operation.

TRACPOWER is the solution when the tractor's original hydraulics do not give sufficiently large flow and pressure.

TRACPOWER is a gearbox that is mounted straight onto the power take off shaft.

TRACPOWER gives 2.5 times greater speed ratio.

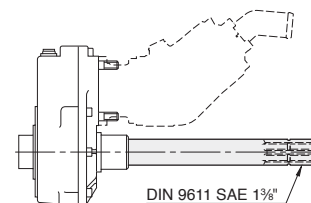
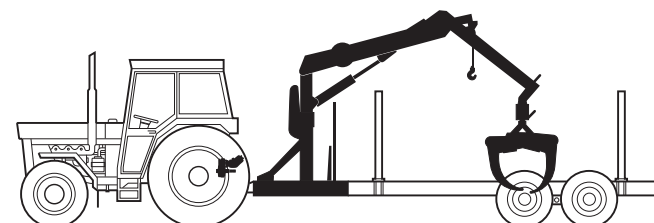
TRACPOWER is suitable for all tractors with 540 rpm power take off shaft,

dimension 1 3/8", SAE J1170.

Other advantages of TRACPOWER

- Suitable for all Sunfab pumps with DIN flange
- Can be turned

TRACPOWER extra equipment
Extension shaft for simultaneous driving of
e.g. a forestry wagon

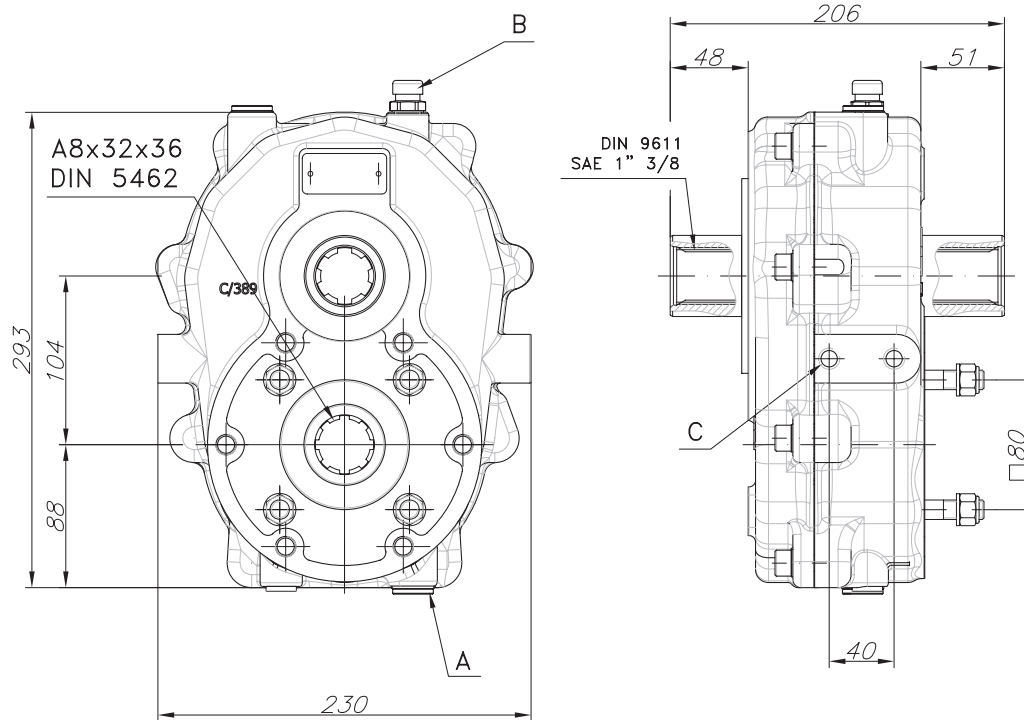


17814



Type 61800

Continuous torque, input	Nm	800
Intermittent torque, output	Nm	320
Power at 1000 rpm, input	kW	82
Power at 1000 rpm, output	kW	34
Weight	kg	14
Installation position		Rear
Direction of rotation in/out		Opposite
Gear ratio engine/power take off		1:2.5



Ventilation when the gearbox is turned 180°

- Notes
- A Oil filler, level and drain plug
 - B Ventilation oil
 - C Mounting hole M10x1,5

Max oil level capacity 1l, Gearbox oil SAE 80/90